

# OVERHEAD DOOR CLOSER

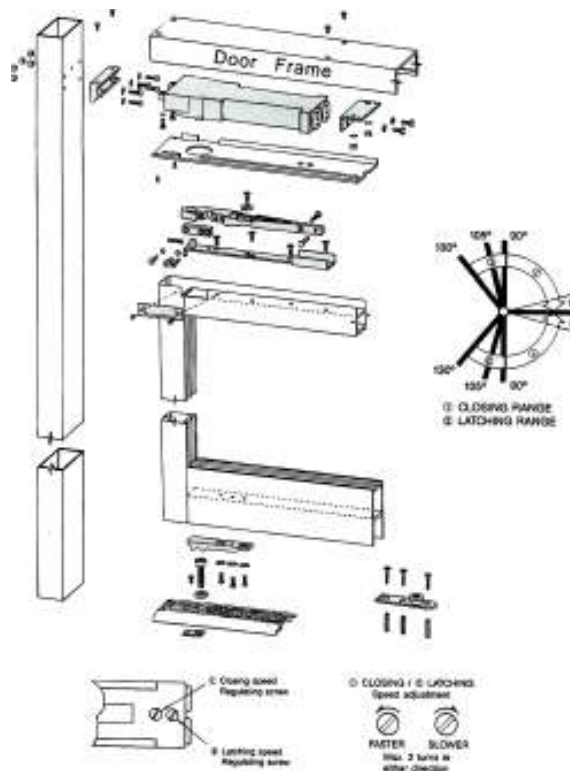


## MWO 850 SERIES

With technology advancing at a hasty pace, we have on our part, prepared these overhead door closers to meet the demands of the new generation of building constructions.

These overhead door closers are designed for use in places where ground hacking is prohibited, Like the name suggests, it is a floor spring that is installed over the top.

### STANDARD INSTALLATION:



SPECIFICATIONS	MWO 850 #3 N/A DUTY CLOSER	MWO 850 #4 N/A DUTY CLOSER
MAXIMUM DOOR WIDTH	1000MM	1100MM
MAXIMUM DOOR WEIGHT	100KG	110KG
HOLD / OPEN	105° / 9	
CLOSING SPEED	SPEED 1 90°-15° SPEED 2 15°-0°	